

## Wing Screws

Stainless Steel

### SPECIFICATION

Stainless steel precision casting AISI 316

- Matte shot-blasted finish **MT**
- Polished **PL**

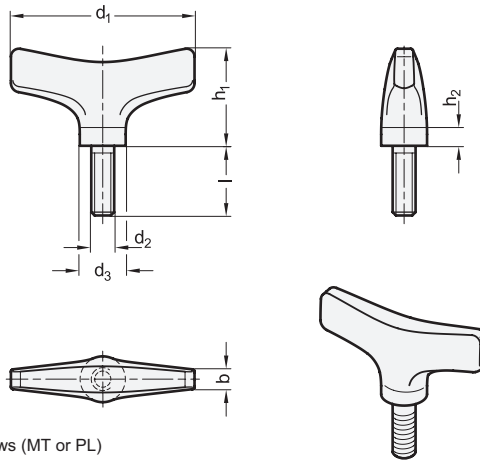
### INFORMATION

Wing screws GN 8350 clamp and fasten parts easily without tools. The ergonomic shape allows for high tightening forces.

The wing screws can also be used in particularly aggressive environments thanks to the material used.

### TECHNICAL INFORMATION

- Stainless Steel Characteristics (see page A26)



\* Complete with surface index of the Wing Screws (MT or PL)

<b>MT</b>	<b>PL</b>
Matte shot-blasted finish	Polished finish

### GN 8350 STAINLESS STEEL

Description	d1	d2	l	b	d3	h1	h2 ≈	Δ
GN 8350-32-M5-10-*	32	M 5	10	4	9	18	3	15
GN 8350-32-M5-12-*	32	M 5	12	4	9	18	3	16
GN 8350-32-M5-16-*	32	M 5	16	4	9	18	3	17
GN 8350-32-M5-20-*	32	M 5	20	4	9	18	3	18
GN 8350-32-M6-12-*	32	M 6	12	4	9	18	3	19
GN 8350-32-M6-16-*	32	M 6	16	4	9	18	3	20
GN 8350-32-M6-20-*	32	M 6	20	4	9	18	3	21
GN 8350-32-M6-25-*	32	M 6	25	4	9	18	3	22
GN 8350-40-M6-12-*	40	M 6	12	4	11	21	3	32
GN 8350-40-M6-16-*	40	M 6	16	4	11	21	3	33
GN 8350-40-M6-20-*	40	M 6	20	4	11	21	3	34
GN 8350-40-M6-25-*	40	M 6	25	4	11	21	3	35
GN 8350-40-M8-16-*	40	M 8	16	4	11	21	3	36
GN 8350-40-M8-20-*	40	M 8	20	4	11	21	3	37
GN 8350-40-M8-25-*	40	M 8	25	4	11	21	3	39
GN 8350-40-M8-30-*	40	M 8	30	4	11	21	3	41

### GN 8350 STAINLESS STEEL

Description	d1	d2	l	b	d3	h1	h2 ≈	Δ
GN 8350-50-M8-16-*	50	M 8	16	6	13	26	3	61
GN 8350-50-M8-20-*	50	M 8	20	6	13	26	3	62
GN 8350-50-M8-25-*	50	M 8	25	6	13	26	3	64
GN 8350-50-M8-30-*	50	M 8	30	6	13	26	3	66
GN 8350-50-M10-20-*	50	M 10	20	6	13	26	3	67
GN 8350-50-M10-25-*	50	M 10	25	6	13	26	3	70
GN 8350-50-M10-30-*	50	M 10	30	6	13	26	3	73
GN 8350-50-M10-40-*	50	M 10	40	6	13	26	3	79
GN 8350-63-M10-20-*	63	M 10	20	11	16	33	4	113
GN 8350-63-M10-25-*	63	M 10	25	11	16	33	4	116
GN 8350-63-M10-30-*	63	M 10	30	11	16	33	4	119
GN 8350-63-M10-40-*	63	M 10	40	11	16	33	4	125
GN 8350-63-M12-25-*	63	M 12	25	11	16	33	4	123
GN 8350-63-M12-30-*	63	M 12	30	11	16	33	4	127
GN 8350-63-M12-40-*	63	M 12	40	11	16	33	4	136
GN 8350-63-M12-50-*	63	M 12	50	11	16	33	4	145

Weight type MT